

SA275 - 500/600/800

SEMIAUTOMATIC BOLLARDS WITH GAS ACTUATOR

The semiautomatic bollard 275/PL xxxSA with single gas actuator is designed and built with architectural appearance similar to that of the automatic and fixed bollards and therefore also allows the combined use of both versions. Current models are the result of our 40 years experience in the security field and in excess of 20 years in the specific design and manufacture of bollards.

GENERAL FEATURES

The Semiautomatic bollards are used to define or prevent the stationing or transit of vehicles in pedestrian or private areas. Because of the procedure of parking, it is advised that the semi-automatic bollards be used only if the amount of daily movements is limited.



SA275 - 500/600/800

AVAILABLE ITEMS

SEMIAUTOMATIC BOLLARD 275/PI 500/600/800SAIXV - STAINLESS STEEL PAINTED

SEMIAUTOMATIC BOLLARD 275/PI 500/600/800SAIXS - STAINLESS STEEL BRUSHED

RIBS ON MOVING CYLINDER

PIT IN ALUZINC FOR 275/PL 500/600/800SA - COUNTERFRAME AND BRACKETS
ONE PIT FOR EACH BOLLARD

MULTILED FLASHING LIGHT- 8 LED POINT

MULTILED FLASHING LIGHT- 25 LED POINT

FLASHING LIGHT POWER CIRCUIT FOR SEMIAUTOMATIC BOLLARDS (MAX. 4 BOLLARDS)

HEAD WITHOUT LOGO FOR 275/PL xxxSA

PAINTING WITH RAL COLOUR ON REQUEST

STANDARD LOCK AND SECURITY LOCK - 2 KEYS

LOCK FOR TRIANGULAR KEY 11mm - 2 KEYS

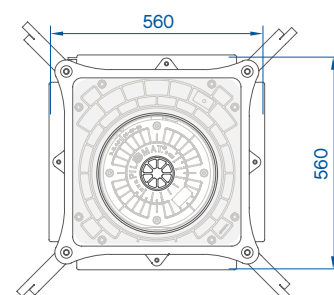
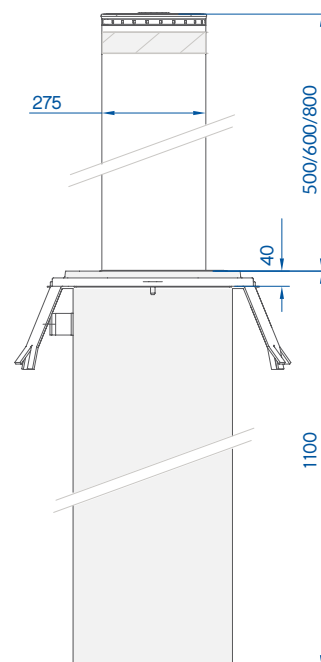
LOCK FOR TRIANGULAR KEY 9mm - WITHOUT KEYS

LOCK FOR TRIANGULAR KEY 16mm - WITHOUT KEYS

LOCK FOR TRIANGULAR KEY 19mm - WITHOUT KEYS

KIT 5 TRIANGULAR KEYS 11mm FOR SEMIAUTOMATIC BOLLARDS

KIT 5 STANDARD KEYS FOR SEMIAUTOMATIC BOLLARDS



SA275 - 500/600/800

MOVING CYLINDER	AISI 304/316 STAINLESS STEEL
MOVING CYLINDER DIAMETER	275mm
MOVING CYLINDER HEIGHT	500/600/800mm
MOVING CYLINDER STAINLESS STEEL THICKNESS	6mm
MOVING CYLINDER STAINLESS STEEL FINISH	ANTI-CORROSION TREATMENT - GREY ANTHRACITE STANDARD PAINTING OR BRUSHED
REFLECTING ADHESIVE STRIP	YES - HEIGHT 55mm
RISING SPEED	20cm/s
SENKGESCHWINDIGKEIT/LOWERING SPEED	MANUAL
CONNECTION LINE TO CONTROL UNIT	STANDARD 10m (MAX. LENGTH 80m)
PROTECTION CLASS	IP67
IMPACT RESISTANCE (WITHOUT DEFORMATION)	40.000 J
BREAKOUT RESISTANCE	250.000 J
OPERATING TEMPERATURE	-40 °C +60 °C

